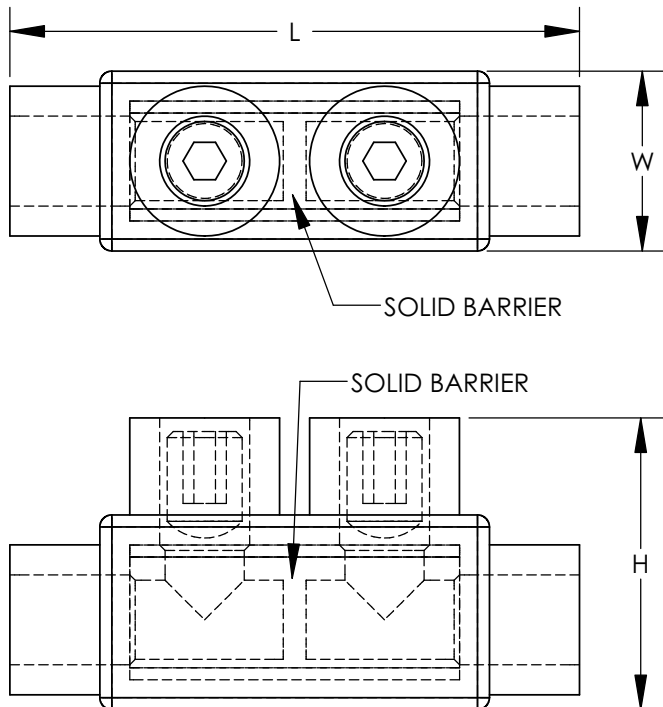


THIS COPY IS PROVIDED ON A RESTRICTED BASIS AND IS NOT TO BE USED IN ANY WAY DETRIMENTAL TO THE INTERESTS OF PANDUIT CORP.



NOTES:

1. CONNECTORS ARE MADE OF HIGH STRENGTH ALUMINUM ALLOY, PRE-FILLED WITH OXIDE INHIBITOR COMPOUND.
2. CLEAR PVC INSULATION ELIMINATES NEED FOR TAPING.
3. REMOVABLE PLUGS IN EACH PORT PROVIDE EASY ACCESS FOR INSTALLATION.
4. FOR USE WITH ONE WIRE PORT.
5. CONNECTOR TO INCLUDE PLATED ALUMINUM SET SCREWS.
6. FOR USE WITH ANY COMBINATION FOR COPPER OR ALUMINUM CODE CONDUCTOR WIRE AL9CU RATED.
7. PACKAGE QTY: -1 = 1 PC.



PANDUIT PART NUMBER	CONDUCTOR RANGE	WIRE STRIP LENGTH (IN)	APPROXIMATE DIMENSIONS - INCHES (+/- 0.13)			HEX SCREW SIZE (IN)	TIGHTENING TORQUE (IN-LB)
			L	W	H		
PISR2-1	2 STR. - 14 STR. 8 SOL. - 10 SOL.	0.63	2.38	0.75	1.25	5/32	100
PISR1/0-1	1/0 STR. - 14 STR. 8 SOL. - 14 SOL.	0.94	2.91	0.95	1.41	3/16	120
PISR250-1	250 kcmil - 10 STR. 8 SOL. - 10 SOL.	1.12	4.00	1.25	2.24	5/16	275
PISR350-1	350 kcmil - 10 STR. 8 SOL. - 10 SOL.	1.25	4.63	1.40	2.34	5/16	275
PISR500-1	500 kcmil - 6 STR.	1.62	5.25	1.72	2.63	3/8	500

05	05/09	JESH	JAC	NOTE 5 CONNECTOR TO INCLUDE PLATED ALUMINUM SET SCREWS. WAS CONNECTOR TO INCLUDE PLATED STEEL SET SCREWS.
04	04/09	JESH	JAC	UPDATED NOTES 3, 4, 5, AND 6.
03	10/08	JHNU	KPB	ADDED ±.13 TOLERANCE REVISED DIM. 'H' FOR PISR350-1 & PISR500-1: 2.34 WAS 2.28, 2.63 WAS 2.56
02	5/05	JHNU	RLS	REVISED CONDUCTOR RANGE & DIM'S, ADDED HEX SCREW SIZE, TORQUE, WIRE STRIP LENGTH
REV	DATE	BY	CHK	DESCRIPTION

	TINLEY PARK, ILLINOIS		
	ALUMINUM CLEAR INSULATED INLINE SPLICER REDUCER (PISR SERIES)		
	CUSTOMER DRAWING		
ECN	SCALE N/A	DRAWING NO / CAD FILE	C41359_05